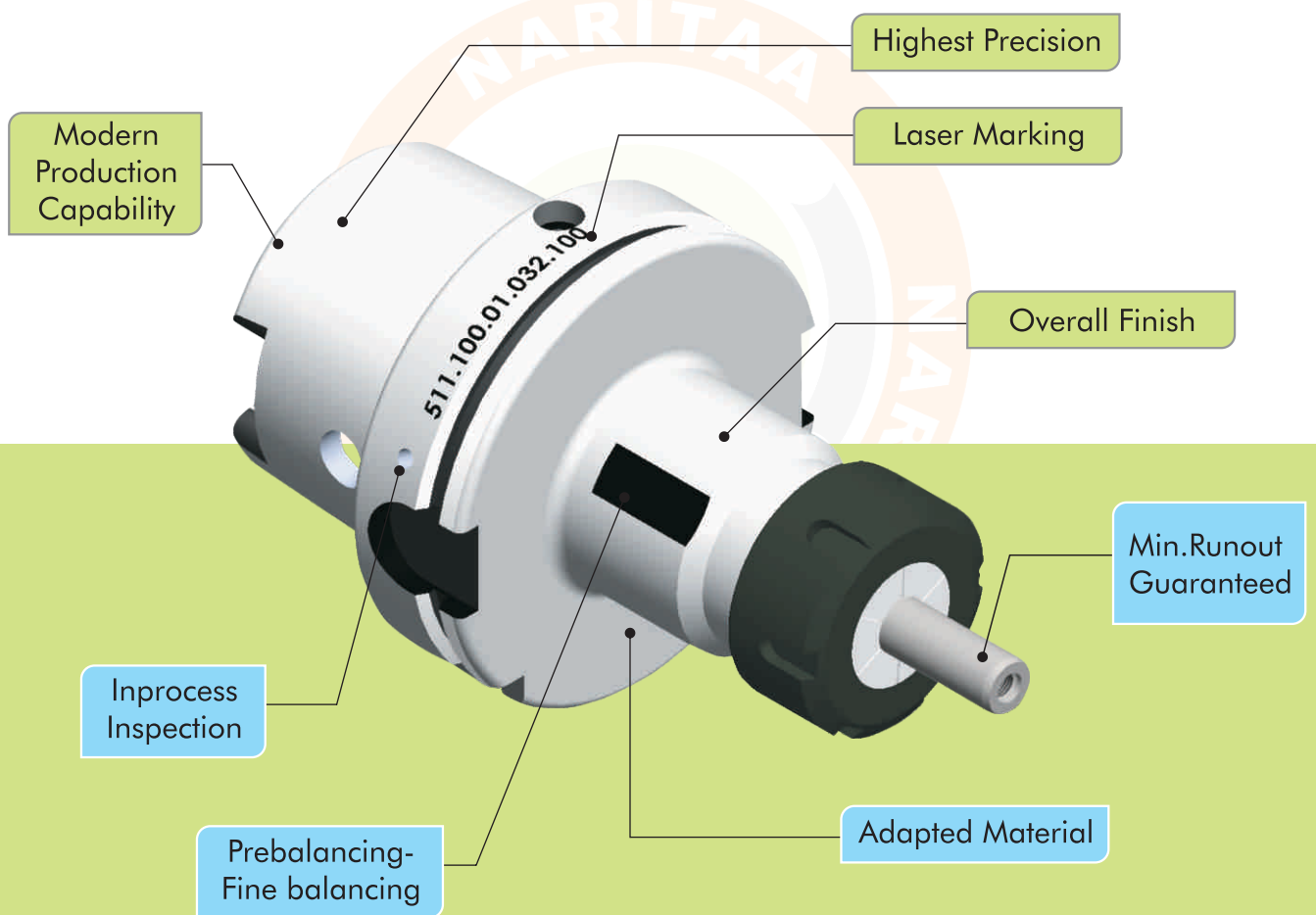




CNC TOOL HOLDING SYSTEM...



Solutions for all kinds of tool holding applications...

CNC TOOL HOLDING SYSTEMS



SPECIAL SIZE U - DRILLS



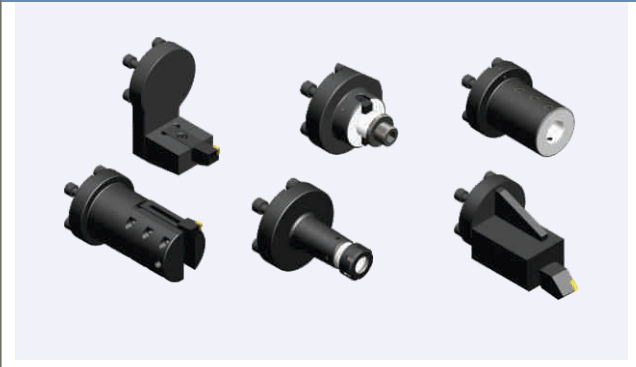
HNK & HONOR TOOL HOLDERS



SHRINK FIT



TREVISAN TOOL HOLDERS



TREVISAN BORING BARS

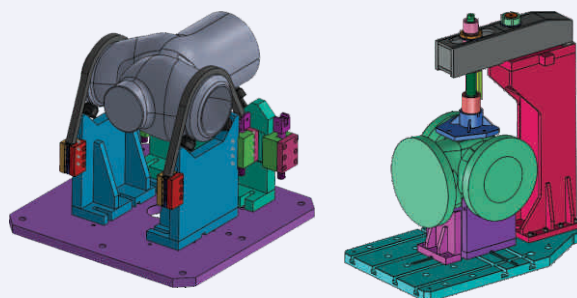


Solutions for all kinds of tool holding applications...

TAILOR MADE BORING BARS



JIG & FIXTURES

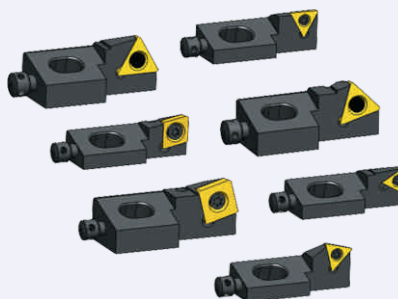


AIR GAUGES

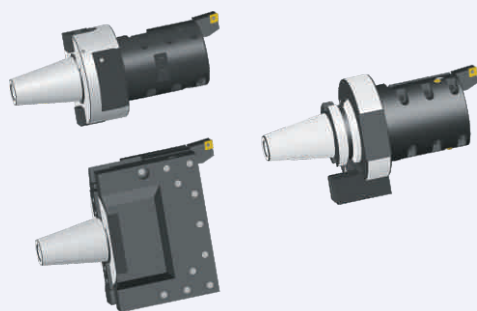


Micron Series
Digital Air Gauges

ISO CARTRIDGES



YOUJI & YU SHINE VTL TOOL HOLDERS



ACCESSORIES



INSPECTION EQUIPMENTS



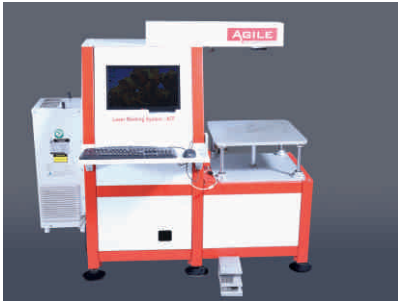
HEIGHT MASTER



BALANCING MACHINE



PROFILE PROJECTOR



LASER MARKING MACHINE



TAPER AIR GAUGES

NARITAA TOOLING PRIVATE LIMITED

(An ISO 9001: 2008 Certified Company)

No. 1/3, Lakshmi Thottam,
Lakshmipuram Back side,
Maniyakarampalayam Road,
Chinnavedampatti Po.,
Coimbatore - 641 049. Tamil Nadu. INDIA

naritaatooling@gmail.com / sales@naritaatooling.com
www.naritaatooling.com



Authorised Dealer

